



# Café Barista

## 4-Series

Newco provides a variety of brewers which can change the flavor profile of coffee. Café Barista brewing technology controls the three vital aspects of the coffee brewing recipe: water **temperature**, water **volume**, and water contact **time** - extracting the best cup of coffee possible. Café Barista opens up a new world of flavor profile control by allowing you to select two different settings. And you can brew into two different size dispensers and/or two different strengths with the same machine. **You** control the **time**, **volume** and **temperature** with the touch of a button. *(no tools needed)*. So Café Barista brewers greatly enhance account profitability by allowing two different beverages to be brewed on a single unit while dramatically reducing installation and set up time. **Barista Technology**, only from Newco, making you successful your way.



Count Down Timer

**B180-4**  
dispenser not included

## Dispenser Options



Corporate Offices  
1735 South River Rd  
St. Charles MO, 63303  
**Phone**  
800.325.7867  
636.925.1202  
**Fax**  
636.925.0029  
**Technical Services**  
800.556.3926  
**Internet**  
[www.newcocoffee.com](http://www.newcocoffee.com)



# Cafe Barista

## 4-Series Features

**"Brew 1"** and **"Brew 2"** selectors provide a choice of two adjustable flavor profiles or portion sizes.

**Water Volume:** May be adjusted thru the digital display: thirty ounces to one gallon.

**Digital Display:** Counts down the minutes and seconds remaining until the basket has finished draining. Visa-Brew time may be adjusted.

**Water Temperature:** May be adjusted between 170 and 210 degrees from the front touch pad.

**Pre-infusion:** Wets the coffee grounds to de-gas fresh roasted coffee in the basket so that the grounds may be evenly saturated during the brew cycle.

**Pulse Brewing:** Pulses your chosen water temperature onto the coffee bed for ultimate taste profile accuracy.

**Water Filtering Light:** Offers service operators an opportunity to communicate added value to customers by indicating that fresh water is being drawn into the tank through the filtration system.

**Filter Monitor:** Alerts the customer when it is time to change the water filter

**Audible Signal:** Alerts user when the filter basket has finished draining. Your fresh hot coffee is ready!

**Coffee Monitor Light:** Indicates the freshness of the last beverage brewed.

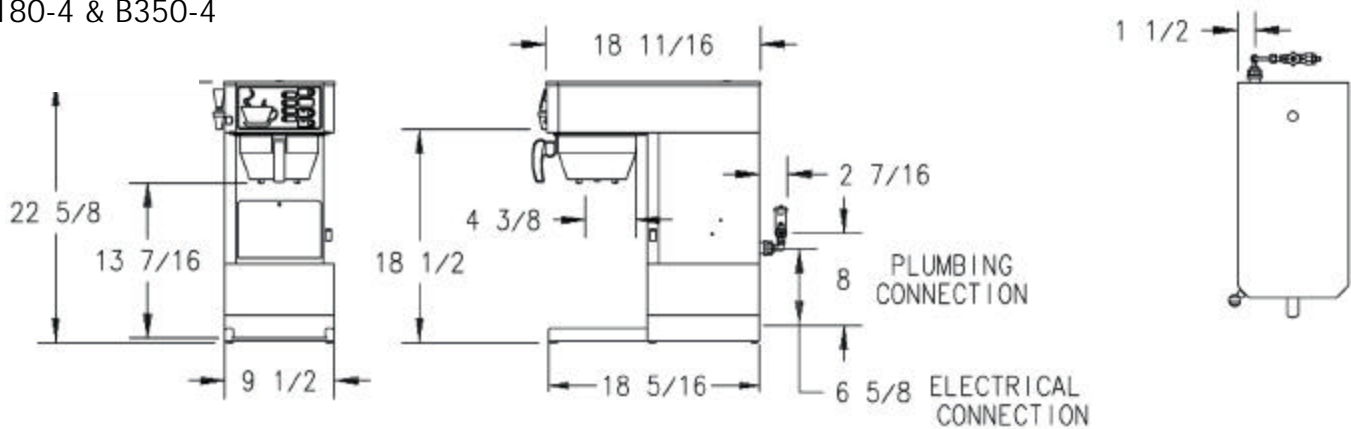
**Cycle Counter:** Monitors the number of brew cycles.

**Power Conservation:** Allows energy saving during idle time.

**Service Light:** Indicates the appropriate time for scheduled maintenance and accompanies five "Error" messages when operation is interrupted by a fault.

## Barista 4

B180-4 & B350-4



Base Model	Control Option	Part Number	Volts	Amps	Tank* Wattage	Cubic Feet	Ship Weight	Cord Attached
B180-4	Barista	B180-4	120	15	1800	9.8	36	Yes
B350-4	Barista	B350-4	240	14.58	3500	9.8	36	Yes

**Electrical:** 120V models are 2 wires plus ground service rated 120V, single phase, 60Hz. 120/240 V models are 3wires plus ground service rated 120/240 V, single phase, 60Hz

**Plumbing:** Water line should be 20-90 PSI and have a minimum flow rate of 1.5 GPM. Mechanical connection on brewer is 1/4" male flare connector.